

# MK18 Range



**Tried, tested and very reliable**  
*and now with **NEW** additional features*

- **NEW:** Service interval function
- **NEW:** Factory set clock
- **NEW:** Holiday function
- **NEW:** Automatic BST/GMT time change
- 7 day, 5/2 day or 24 hour programming
- Permanent back lit display
- AM/PM or 24 hour display
- Built-in programmes
- Convenient user overrides
- 'Industry standard' wallplate



TS715 SI



CP715 SI



FP715 SI

## Danfoss Randall Ltd

Amphill Road, Bedford, MK42 9ER, T: 0845 - 1217 400, F: 0845 - 1217 515

[www.danfoss-randall.co.uk](http://www.danfoss-randall.co.uk)

# MK18 Time Controls With Service Interval



**For use in any domestic heating and hot water function.**

**The MK18 range has a model for any situation, offering unrivalled flexibility of control.**

The new MK18 range has all the flexibility and reliability of its predecessor, but with a more elegant look and some handy new features. All models have a slimmer, more modern enclosure and a larger LCD with a convenient back light.

Employing the latest technology, these flexible domestic heating time controls are reliable and easy to use. They are the installer's first choice due to their ready interchangeability with most other existing controls. They also come with newly designed, easy to follow instructions, helping you enjoy trouble free programming every time.

All models have the real time and date set in the factory and automatically display the real time when powered up. The time and date information is used to automatically change between summer and wintertime on the right day each year without user intervention. These important features substantially reduce the number of call backs.

All products also incorporate an installer settable service interval timer for use in tenanted properties where the landlord is responsible for gas safety.

This feature allows the service due date to be set and starts to remind the user 28 days before the due date. If the service is not carried out by the due date the operating hours are reduced to 25% of the programmed hours.

**TS715 Si electronic timeswitch** - provides voltage free output contacts, making it an ideal solution for use with combi-boilers, which operate at low voltage.

**CP715 Si two-channel, common time-base programmer** - has separate heating and hot water outputs, allowing either service to run independently of each other, but sharing a common timebase.

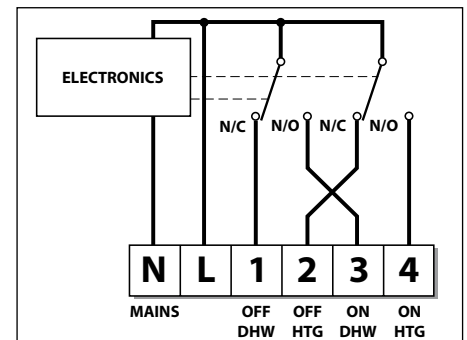
**FP715 Si two-channel, full programmer** - has separate heating and hot water outputs operating on completely independent timebases for maximum flexibility. It fully meets the requirements of Part L Building Regulations.



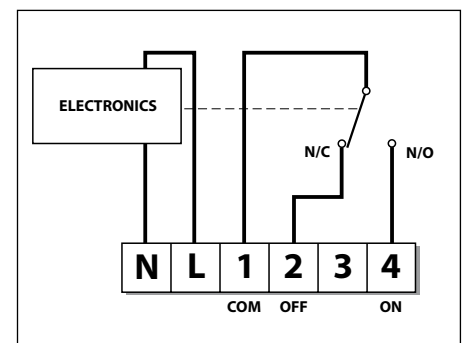
Each model can be configured by the installer at time of installation to provide 7 day, 24 hour, or 5 day/2 day operation. All models can also be configured to provide either 2 ON/OFF's or 3 ON/OFF's per day.

Features	TS715 Si	CP715 Si	FP715 Si
Code No.	087N789900	087N789700	087N789800
Single channel timeswitch	•		
Two channel programmer, with common timebase		•	
Two channel full programmer, with independent timebase			•
Service interval timer available, select at time of installation	•	•	•
7 day, 24 hour or 5/2 day operation, select at installation	•	•	•
2 on/off's or 3 on/off's per day, select at installation	•	•	•
Pumped or gravity hot water option, select at installation		•	•
Permanent back lit display	•	•	•
Output channels	single	independent HW & CH	
Programmes selectable	On/Off/Auto/Allday <sup>(1)</sup>		
Programmable holiday function	Up to 99 days		
Factory set real time clock		•	
Automatic BST/GMT change		•	
Service interval timer	Programmable 56-735 days		
Factory pre-set on/off time		•	
Advance override	•	per channel	
+1hour override	•	per channel	
Voltage rating	230 Vac ± 15%, 50/60 Hz		
Contact Rating	3 (1) A		
Switching action	1 x SPDT (voltage free)	2 x SPDT (commons linked internally)	
Battery backup on power failure	Time and all other settings - indefinitely		
Maximum ambient temperature	45°C		
Dimensions (mm)	137 wide x 93 high x 29 deep		
<i>Please note: (1) Per channel on CP and FP models</i>			

## Wiring Details



CP715 Si and FP715 Si



TS715 Si